



100 L.





VARILOC
MCVH



SMARTLOC
MDCS



CADENA INICIAL 1 mts.
STARTING CHAIN 1 mts.
CI-S1

ORIGINAL PARA REPRODUCCION
ORIGINAL FOR CUSTOMIZED HANDLE

ORL
LOGOTIPO PARA MANGO
CUSTOMIZED HANDLE
LMC



ORIGINAL PARA REPRODUCCION "ERGOGRIP"
ORIGINAL CUSTOMIZED HANDLE FOR "ERGOGRIP"

ORL-E
LOGOTIPO PARA MANGO "ERGOGRIP"
CUSTOMIZED HANDLE FOR "ERGOGRIP"
LMC-E



MANGO ERGOGRIP CON MONEDERO Y "PROMOBOX"
ERGOGRIP HANDLE WITH LOCK AND "PROMOBOX"

MEGMP8010
ORIGINAL PARA REPRODUCCION "PROMOBOX"
ORIGINAL FOR CUSTOMIZED "PROMOBOX"

ORL-P
LOGOTIPO PARA "PROMOBOX"
CUSTOMIZED "PROMOBOX"

LMC-P



MANGO ERGOGRIP
ERGOGRIP HANDLE
MEG8010
MANGO ERGOGRIP CON MONEDERO
ERGOGRIP HANDLE WITH LOCK
MEGM8010

GANCHO CUELGA BOLSOS
PLASTIC BAG HOOK
GBCA



REJILLA DE PLATAFORMA
PLATFORM
RPCA100




CONJUNTO PROTECCION CESTO
BASKET PROTECTOR SET
CPC100




CANTONERAS
CORNER PROTECTORS
CPEC



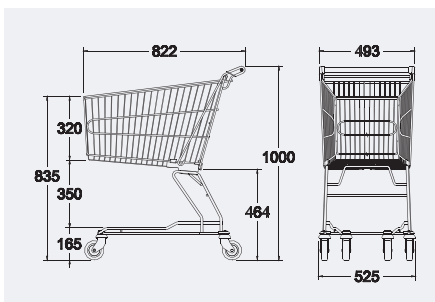



PORTACARTEL PUBLICITARIO
ADVERTISEMENT HOLDER
PCPCA80160



PICTOGRAMAS DE ADVERTENCIAS
BABY SEAT WITH WARNING INSTRUCTIONS
PAPB

100 L.

x5 1,42 mts.
x10 2,17 mts.
x15 2,92 mts.
x25 4,42 mts.

**CODIFICACION BASICA DEL CARRO DE AUTOSERVICIO
SUPERMARKET TROLLEY CODES**



2

PORTA-BEBE
BABY SEAT

SIN
WITHOUT



CON
WITH



CASSP10002
16,2 kg.
CASCP10002
17,5 kg.

